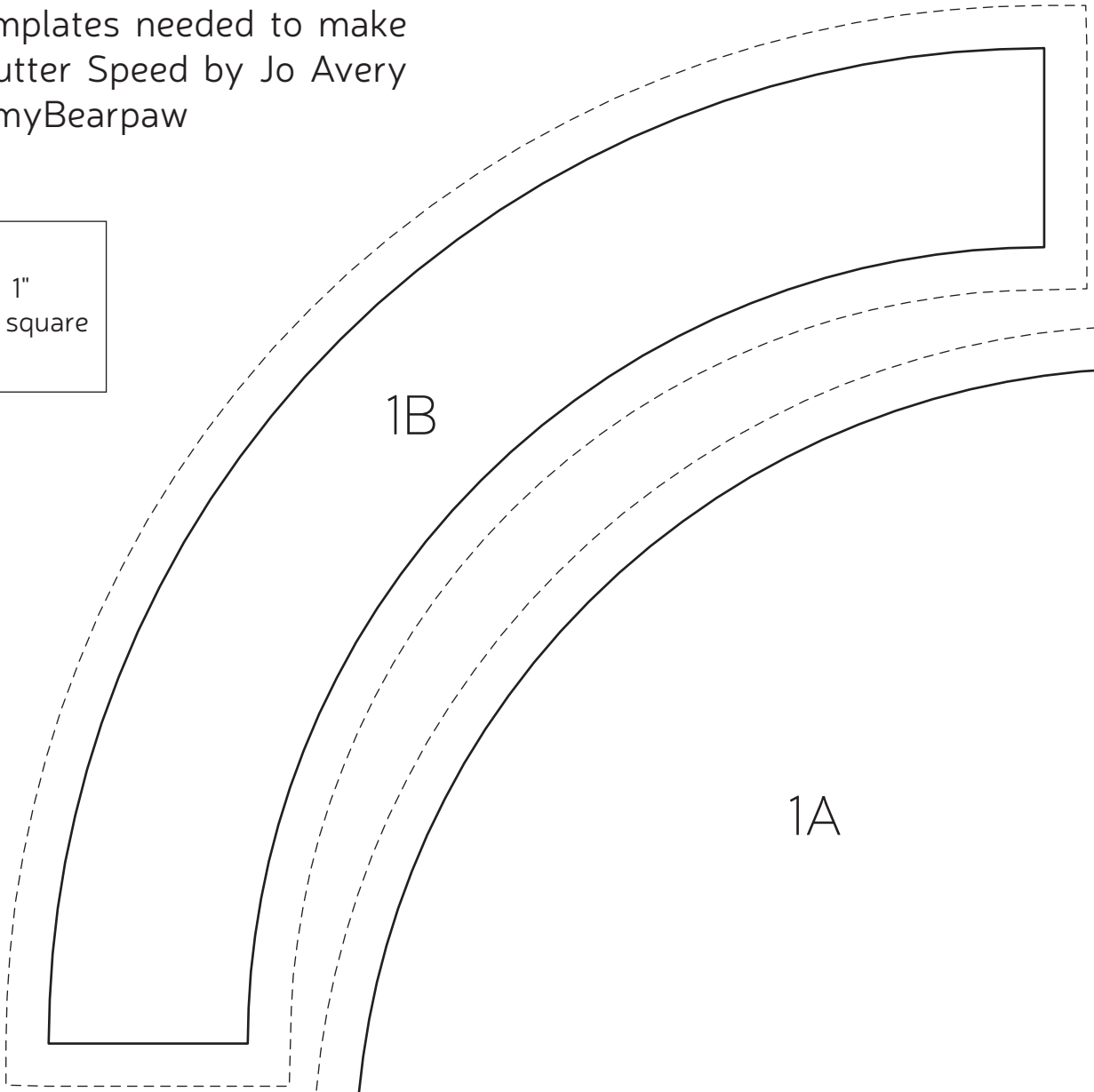


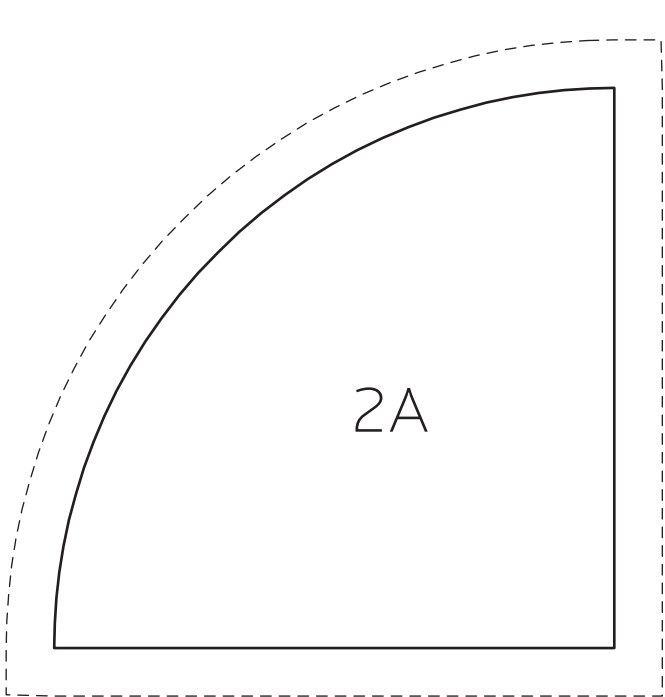
Templates needed to make  
Shutter Speed by Jo Avery  
of myBearpaw

1"  
test square

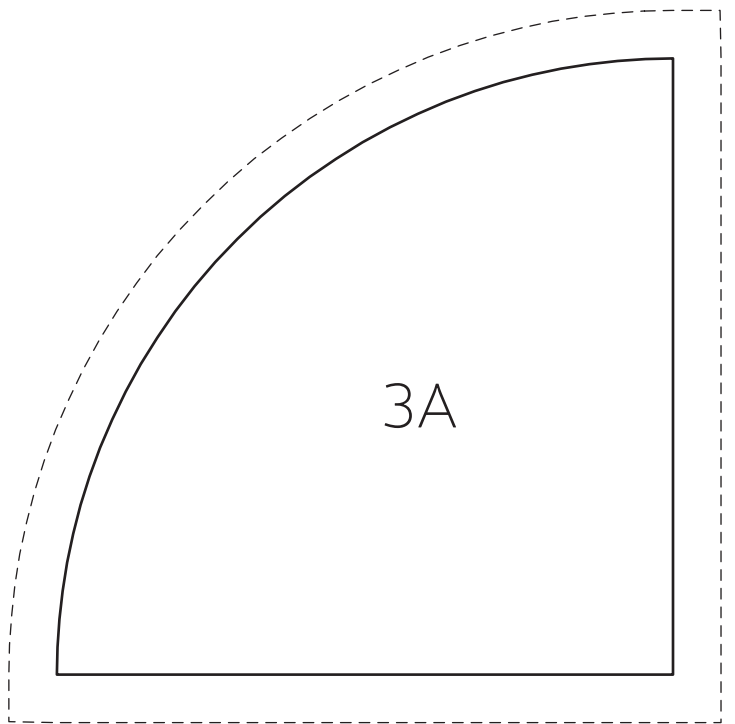


1B

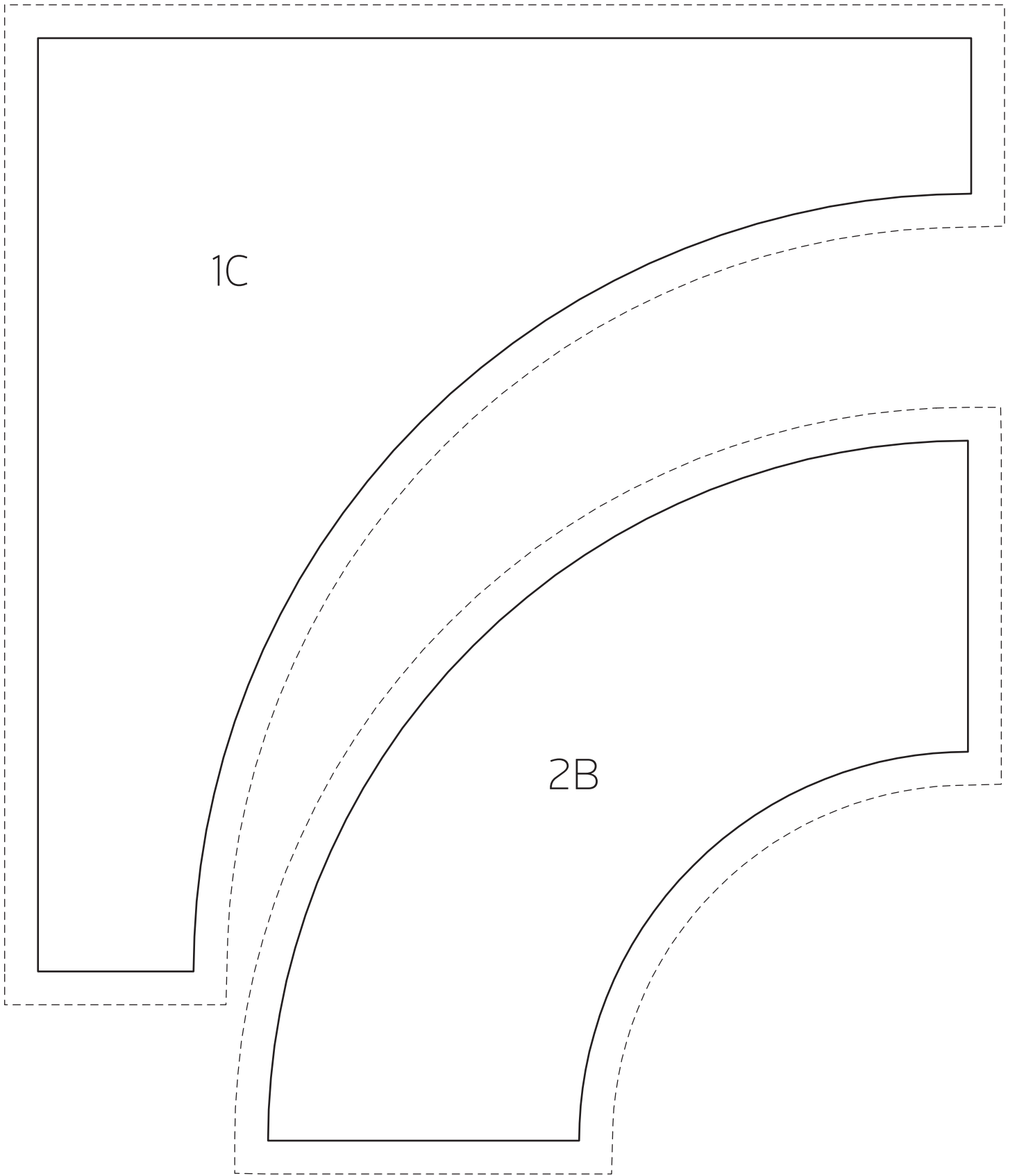
1A



2A



3A



2C

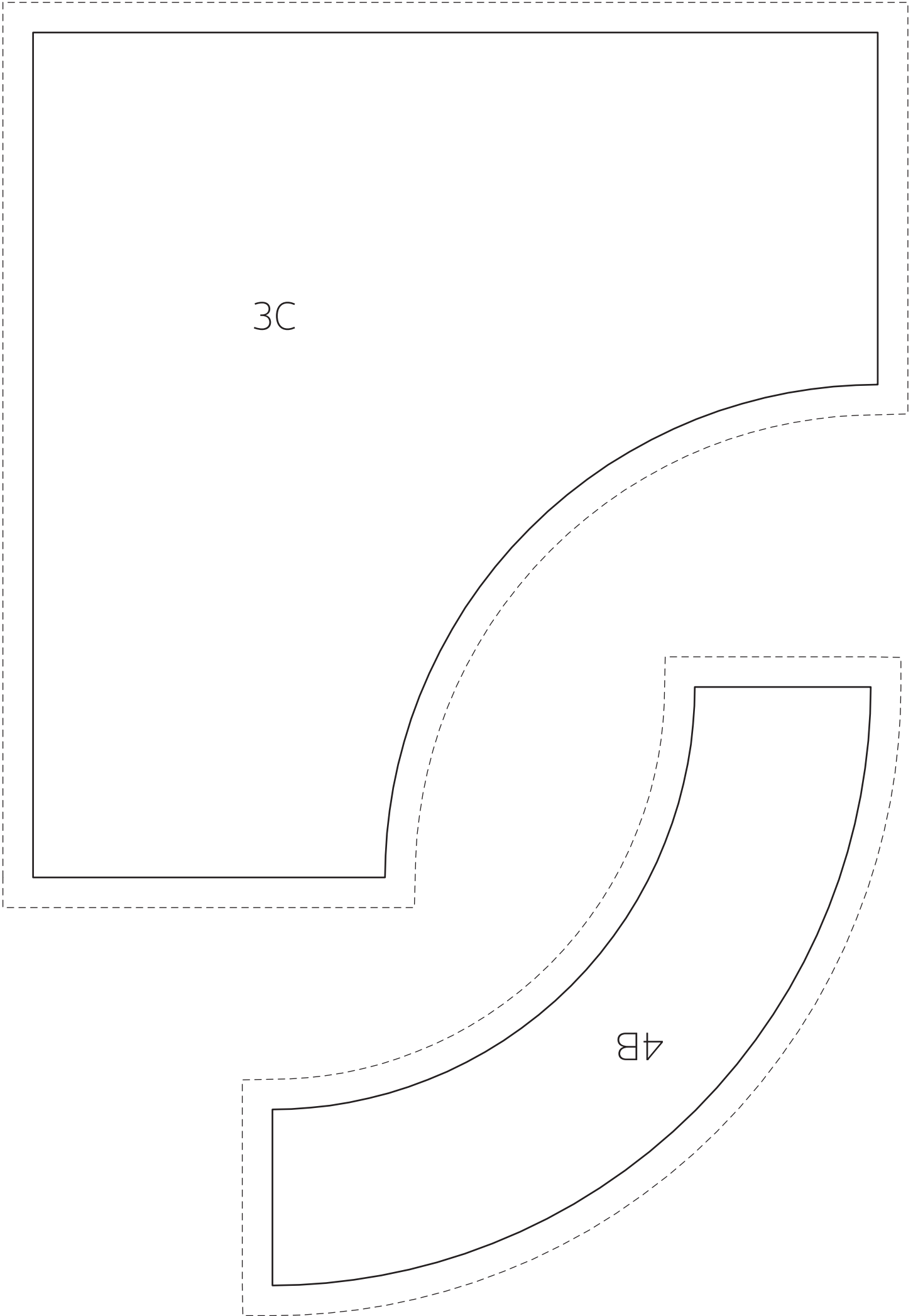
The image shows three quarter-circle shapes, each with a solid outer boundary and a dashed inner boundary. The shapes are arranged in a descending staircase pattern from top-left to bottom-right. The top-left shape is labeled '2C', the middle one '3B', and the bottom-right one '4A'. Each shape is a quarter of a circle with a 90-degree angle at the bottom-left corner. The dashed lines represent an inner boundary, likely for a cutout or a specific material thickness.

3B

4A

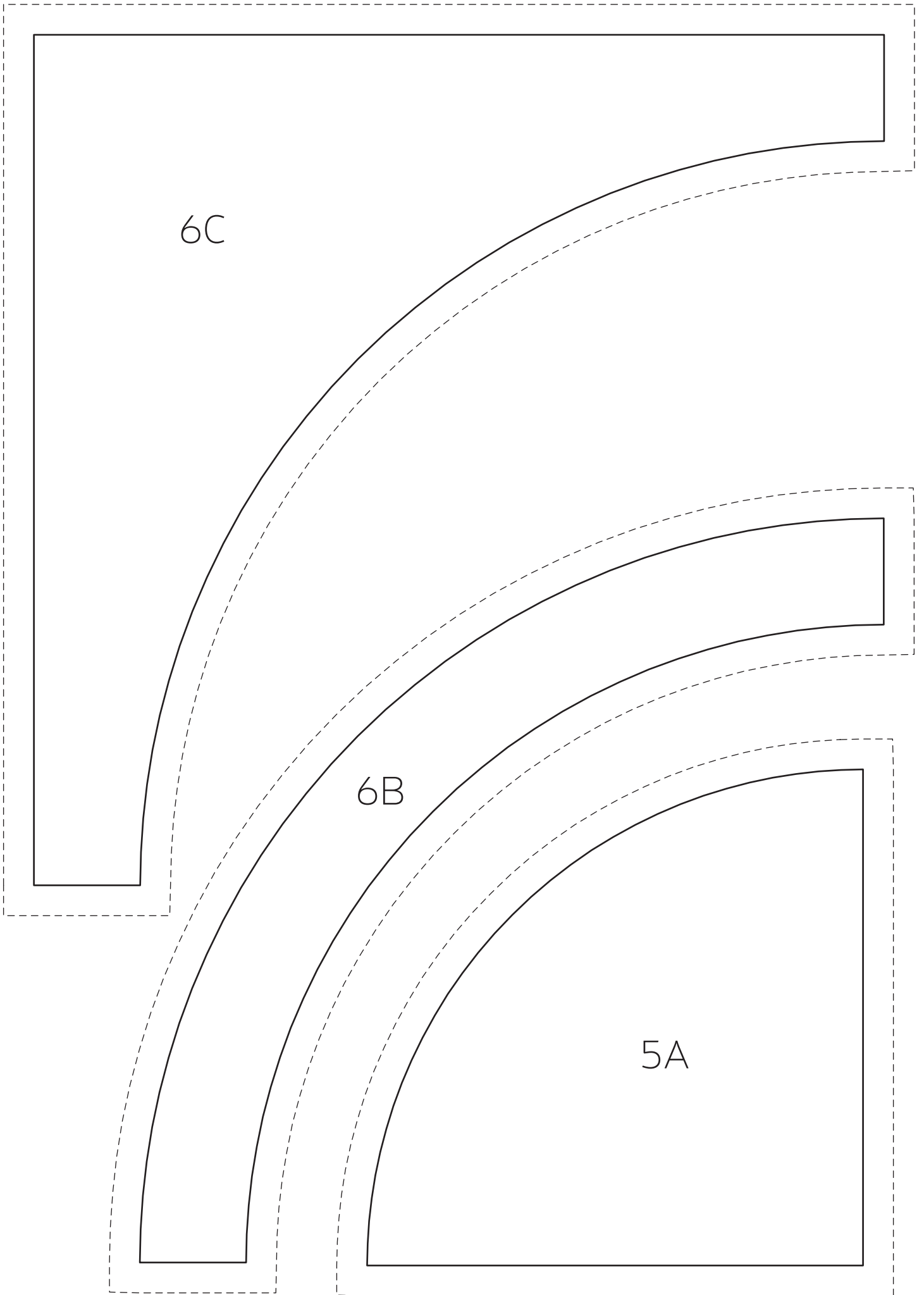
3C

4B



4C

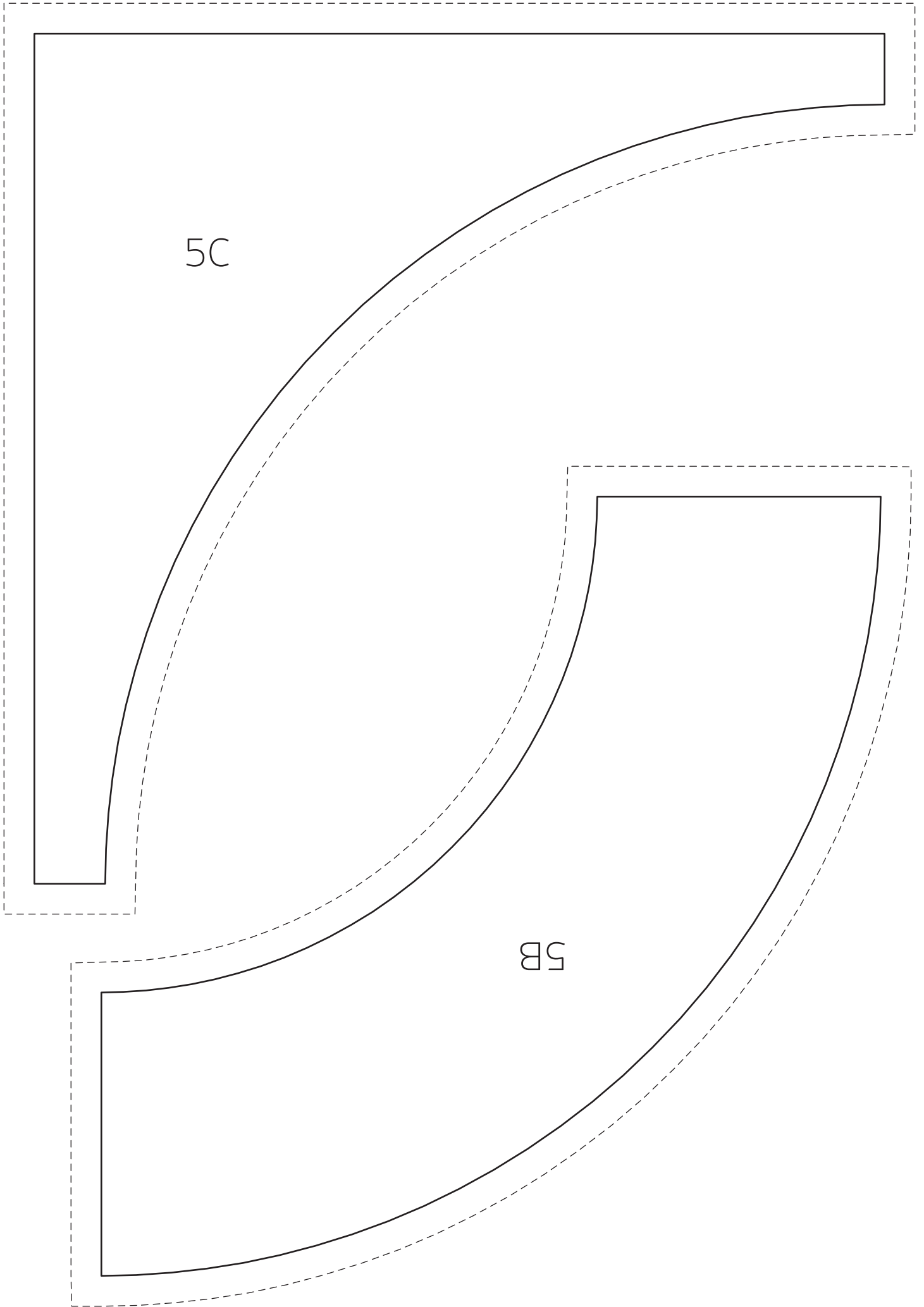
6A



6C

6B

5A



5C

5B